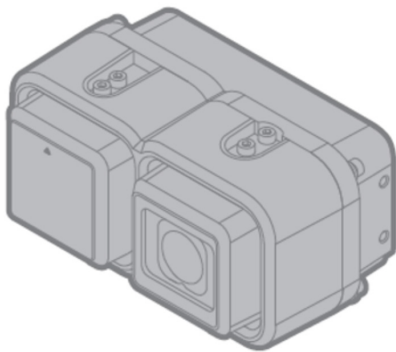


Radar/Camera Combo

Dual detection system

A DUAL SYSTEM THAT DETECTS EVERYTHING IN REVERSE W/ BUILT IN CAMERA AND SCREEN



Suited to:

- Both outdoor and indoor environments when there is risk of reversing into people and objects
- Forklifts - as an alternative to the AI camera system
- Areas where line of site is good - not ideal around lot of obstacles

Components:

- 7 inch waterproof screen showing camera and radar detection
- Combined camera and radar unit installed on rear of vehicle

KEY FEATURES

- Detects anyone or anything in the predetermined range
- Will alert and flash on screen in cab – allows operator to evaluate what is creating the alert
- Can also be used as standard reverse camera
- Several range options can be preset depending on situation
- Waterproof screen for range of applications
- Expandable: further alarms or lights can be integrated to warn both operators and pedestrians

